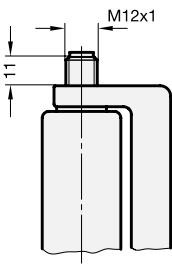
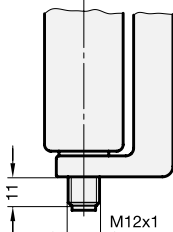


**3 Type**

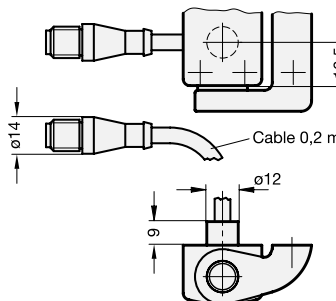
- A** Connector plug at the top
- B** Connector plug from the bottom
- C** Connector plug on the backside, with 0,2 m cable



Type A



Type B



Type C

**1**

**2**

l <sub>1</sub>		l <sub>2</sub>	l <sub>3</sub>	l <sub>4</sub>	l <sub>5</sub>		h <sub>1</sub>	h <sub>2</sub>	m <sub>1</sub>	m <sub>2</sub>	m <sub>3</sub>	
small hinge wing	broad hinge wing				small hinge wing	broad hinge wing					small hinge wing	broad hinge wing
49	79	101	30	81	15	30	12	22,5	71	17	27	50

**Specification**

- Zinc die casting plastic coated silver metallic
- Pin  
Stainless Steel  
German Material No. 1.4305
- **RoHS compliant**

**Accessories**

- Cable with connection coupling 8-pin, 5 and/or 10 meter long:
  - GN 330-M12x1-8-G-5
  - GN 330-M12x1-8-G-10
- Mounting plates GN 139.3 / GN 139.4

**On request**

- Hinge with operation angle > 0°

**Information**

The hinges with safety switch GN 139.1 have been designed for the position monitoring of pivoted protective safety equipment, e.g. protection covers.

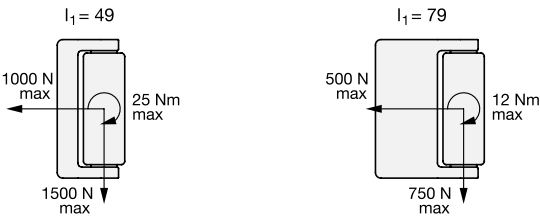
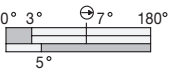
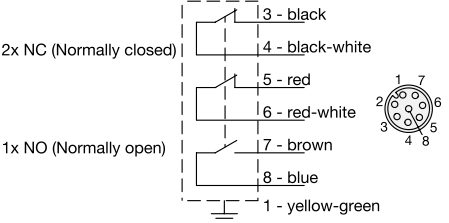
The switching element is fully integrated in the mechanical hinge and invisible from the outside. Hinges with and without safety switch are identical except the connector plug. In addition, the covered bolts at the rear make the hinge tamper-proof.

The compact construction combines safety and attractive design.

The version with broad hinge wing has been designed for mounting against glass or polycarbonate doors.

Hinge with safety switch	
<b>1</b>	l <sub>1</sub>
<b>2</b>	l <sub>2</sub>
<b>3</b>	Type

Hinge without safety switch	
<b>1</b>	l <sub>1</sub>
<b>2</b>	l <sub>2</sub>

Technical information	
<b>Switch type</b>	Interlocking mechanism without tension pickup acc. to EN 1088
<b>Actuator, internal</b>	Safety switch encapsulated in hinge
<b>Max. load</b>	GN 139.1 / GN 139.2 
	Computation examples → see <i>operating instruction</i>
<b>Actuating velocity</b>	min. 2°/second, max. 90°/second
<b>Operating angle for forced separation</b> (after switching point 0°)	The switching point is adjustable within +4°. → see <i>operating instruction</i> 
<b>Mechanical life</b> acc. to IEC 60947-5-1	10 <sup>6</sup> operating cycles
<b>Operating frequency</b> acc. IEC 60947-5-1	max. 720 / hour
<b>Useful life (T<sub>M</sub>)</b> acc. to EN ISO 13849-1	20 years
<b>Number of cycles until hazardous failure (B10 d)</b> acc. to EN 61820-2	5 000 000
<b>Utilisation category</b> acc. to EN 60947-5-1	AC 15 / DC 13: U <sub>e</sub> 24 V, I <sub>e</sub> 2 A
<b>Protection class</b>	IP 67 (plug) / IP69K (cable)
<b>Contact material</b>	Silver alloy, solid
<b>Contact complement</b>	8-pin plug 
<b>Switching principle</b>	Slow-action contact
<b>Contact opening</b>	Force-locking, forced
<b>Design isolation voltage</b>	30 V AC, 36 V DC
<b>Conventional technical current</b>	max. 2 A
<b>Short-circuit protection</b> acc. to IEC 60269-1	2 A, 500 V, Type gG
<b>Ambient temperature</b>	- 25 °C bis ... + 80 °C
<b>Degree of pollution</b> external acc. to EN 60947-5-1	3

Conformity with international directives	
<b>The GN 139.1 / GN 139.2 hinges with safety switch comply with the following international directives:</b>	BG-GS-ET-15
	CEI 17-45
	CEI 44-5
	CEI 70-1
	CEI EN 60947-5-1
	EN 1088
	EN 60204-1
	EN 60529
	EN 60947-5-1
	EN ISO 12100-1
	EN ISO 12100-2
	IEC 204-1
	IEC 337-1
	IEC 529
	IEC 947-5-1
	NFC 63-140
VDE 0113	
VDE 0660-200	

Special features
Double safety function with 2 contact switches
High load-bearing capacity owing to robust zinc die cast design
Load ratings: 1500 Nm (axial) 1000 Nm (radial) 25 Nm (torsion)
GN 139.2 hinges without switch in the same design for uniform appearance
Switching angle adjustment
Encapsulated inside actuator guarantees the proper function also under difficult conditions
Tamper-proof owing to bolting from the rear
Protection class IP 67 (plug) IP 69K (cable)

More important details and notices are found in the operating instructions for the hinges GN 139.1 and GN 139.2. They are included with every hinge and can also be downloaded as PDF under „[www.ganter-griff.com](http://www.ganter-griff.com)“ at ‚Service‘.